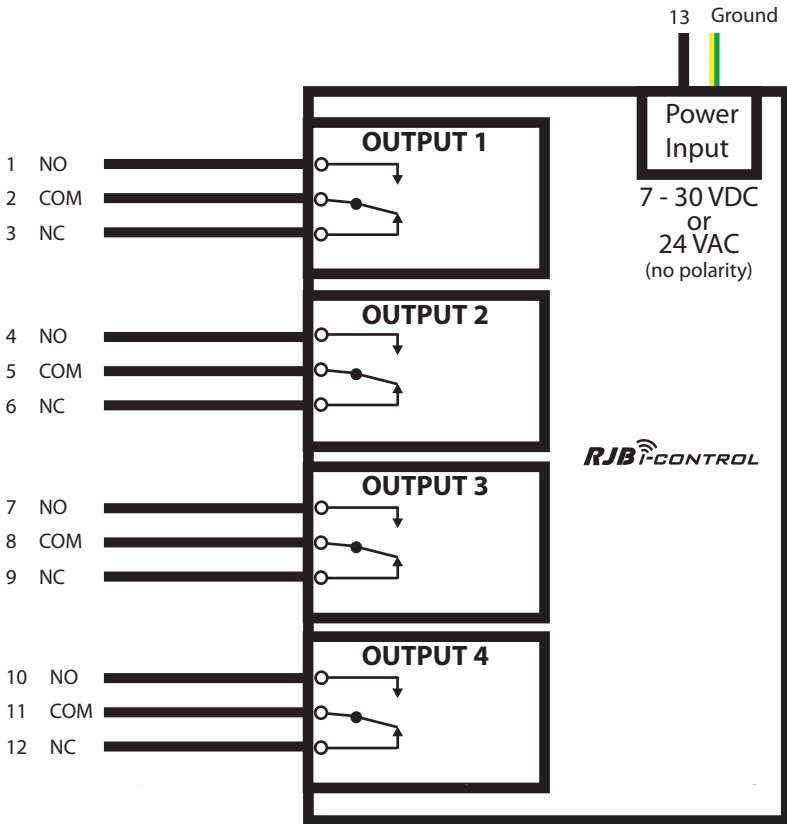


ELECTRICAL SCHEMATIC



	DEFAULT ICONS	WIRE NUMBERS
OUTPUT 1	→] OPEN	1 / 2 / 3
OUTPUT 2	×] CLOSE	4 / 5 / 6
OUTPUT 3	←	7 / 8 / 9
OUTPUT 4	→	10 / 11 / 12
POWER SUPPLY		13 / GROUND

*NO - NORMALLY OPEN | COM - COMMON | NC - NORMALLY CLOSE