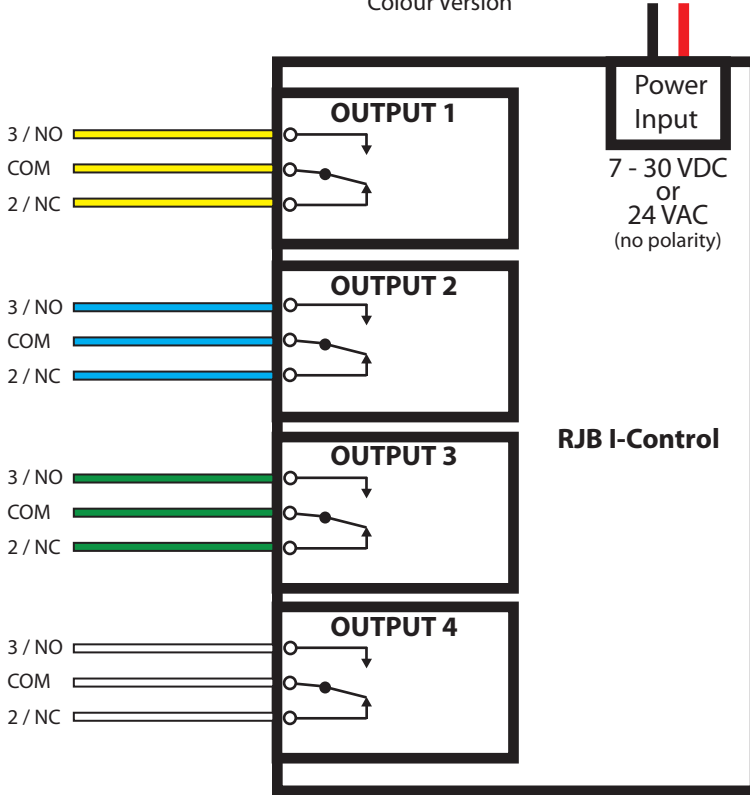


RJB *i-CONTROL*

Electrical Scheme

Colour Version



Default OUTPUT / Cable Colour

	APP Button by default	Cable Colour
Power Supply		RED BLACK
OUTPUT 1	→ OPEN	YELLOW
OUTPUT 2	CLOSE	BLUE
OUTPUT 3	←	GREEN
OUTPUT 4	→	WHITE

*3 / NO - Normally Open | COM - Common | 2 / NC - Normally Close

Portugal | Europe

✉ info@rjbi-control.com

🌐 www.rjbi-control.com